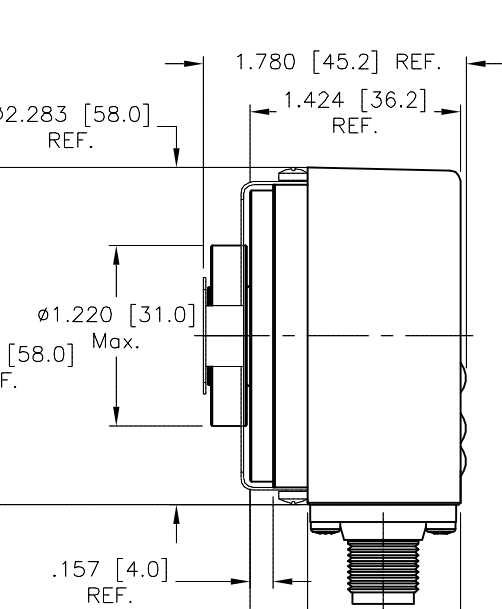
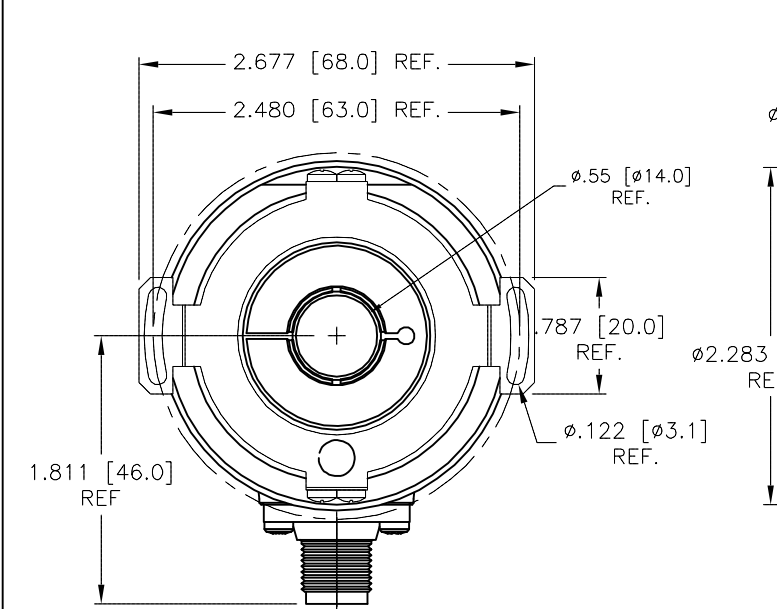


SPECIFICATIONS	
OUTPUT CIRCUIT	RS422
SUPPLY VOLTAGE	5-30 VDC
POWER CONSUMPTION (NO LOAD)	40 mA TYPICAL 90 mA MAX.
PERMISSIBLE LOAD/CHANNEL	$\pm 20$ mA MAX
SIGNAL LEVEL HIGH	2.5 V MIN.
SIGNAL LEVEL LOW	0.5 V MAX.
PULSE RATE	4096
OUTPUT SIGNALS	TWO-CHANNEL (A-B QUADRATURE) ZERO REFERENCE (INDEX) DIFFERENTIAL (A-B COMPLEMENTS)
PULSE FREQUENCY	300 kHz MAX.
SHORT-CIRCUIT PROTECTION	YES, SEE NOTE 1
REVERSE POLARITY PROTECTION AT V+	YES
MAX. SPEED	12,000 RPM
MAX SPEED CONTINUOUS	6,000 RPM
MOMENT OF INTERIA	6X10 kgm APPROXIMATE
STARTING TORQUE AT 20C	<0.01 Nm
SHAFT LOAD-RADIAL	80N
SHAFT LOAD-AXIAL	40N
TEMPERATURE RANGE	-40°C to +85°C (-40°F to +185°F)
PROTECTION CLASS	MEETS IEC IP65



**SOURCE DRAWING - FOR REFERENCE ONLY**

- NOTES:**
- ONLY ONE CHANNEL CAN BE SHORTED-OUT AT ONE TIME. SHORT-CIRCUIT TO CHANNEL OR 0 V IS PERMITTED.
  - Ri-12114E-4B4096-H1181 REPLACES PART NUMBER T8.5020.DA12.4096.
  - A LEADS B WHEN THE SHAFT IS TURNED IN THE CLOCKWISE DIRECTION VIEWING THE COLLET END.

<b>RELATED DOCUMENTS</b> 1. 2. 3. 4.	<b>3RD ANGLE PROJECTION</b> 	THIS DRAWING IS CONFIDENTIAL AND THE PROPERTY OF TURCK INC. USE OF THIS DOCUMENT WITHOUT WRITTEN PERMISSION IS PROHIBITED.		3000 CAMPUS DRIVE MINNEAPOLIS, MN 55441 1-800-544-7769 (763) 553-7300 (763) 553-0708 fax www.turck.us	
		<b>MATERIAL</b> SEE SPECIFICATIONS	<b>DRFT</b> KMY <b>APVD</b>	<b>DATE</b> 09/19/13 <b>SCALE</b> 1=1.3	<b>DESCRIPTION</b> RI-12114E-4B4096-H1181
<b>FINISH</b> SEE SPECIFICATIONS	ALL DIMENSIONS DISPLAYED ON THIS DRAWING ARE FOR REFERENCE ONLY  CONTACT TURCK FOR MORE INFORMATION	<b>UNIT OF MEASUREMENT</b> <b>INCH [ MILLIMETER ]</b>		<b>IDENTIFICATION NO.</b> 1545301	<b>REV</b> B
<b>REV</b>   <b>DESCRIPTION</b>   <b>BY</b>   <b>DATE</b>   <b>ECO NO.</b>		DO NOT SCALE THIS DRAWING		<b>FILE:</b> 1545301	<b>SHEET</b> 1 OF 1

